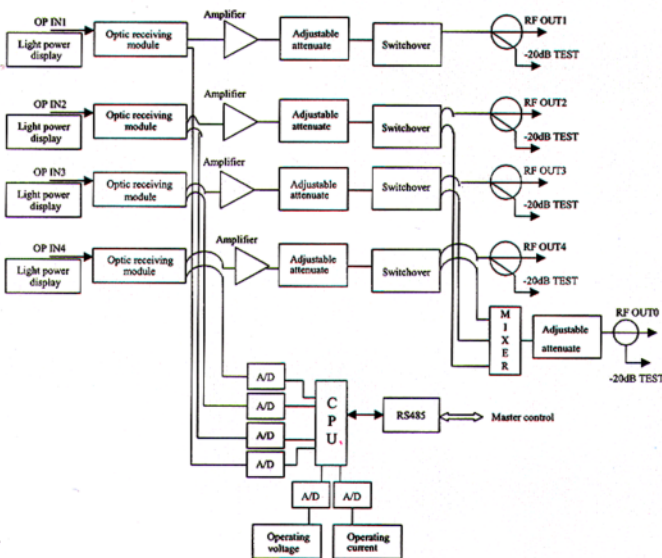


**Features**

- Mixed output or four independent outputs are available for choice (There isn't mixed output interface of VFD)
- With network management function, making such management more scientific.
- Indication of input light power.

This unit adopt UI standard frame. The front panel provides indication of receiving light power and power supply, as well as RF monitor interface and radio frequency level adjust. On the rear panel is RS485 interface for network management. Four independent outputs or mixed output are available for choice. This unit is good for bi-directional network. When the network operating parameters and send them to the master control an digital signals, which will then be sent to the micro computer for real-time monitoring.



**Environment Requirement**

- Operating temperature: -10°C~+50°C
- Storage temperature: -40°C~+70°C
- Relative temperature: ≤ 90%

**External Characteristic**

- Supply power consumption: 20W
- Supply voltage: AC135-270V, 50Hz
- Frame measurement: 19" standard frame

**Optical Indexes**

- Operating wavelength: 1290nm~1570nm
- Input power: -10~0dBm
- Connector: FC/APC

**Radio Frequency**

- Bandwidth: 5~200MHz
- In-band flatness: ±0.75dB
- Reflection loss: ≥16dB
- Output level: ≥100dBμ V (when receiving light a -6dBm)
- CNR: ≥51dB